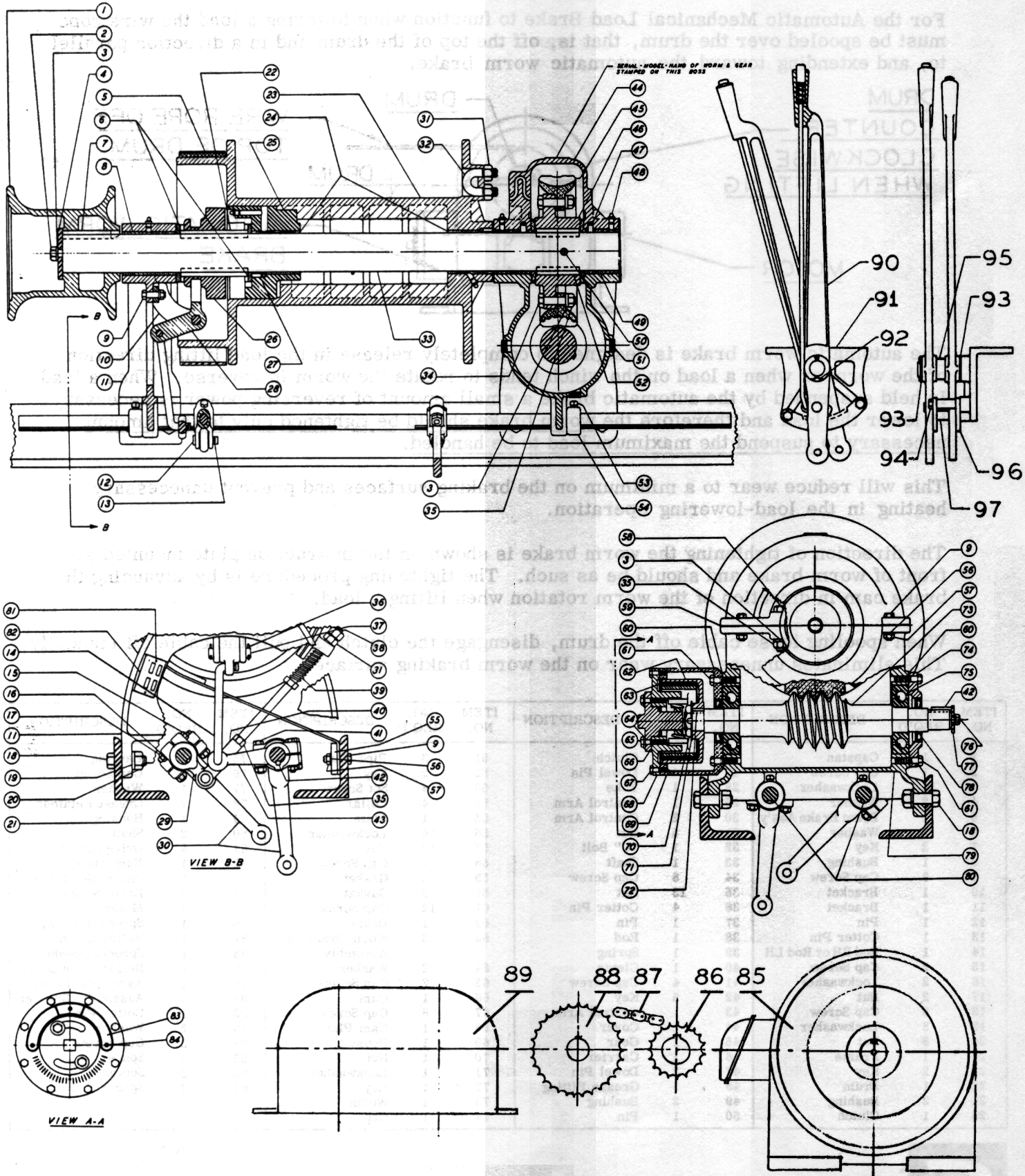


MODEL E2-HB PARTS LIST



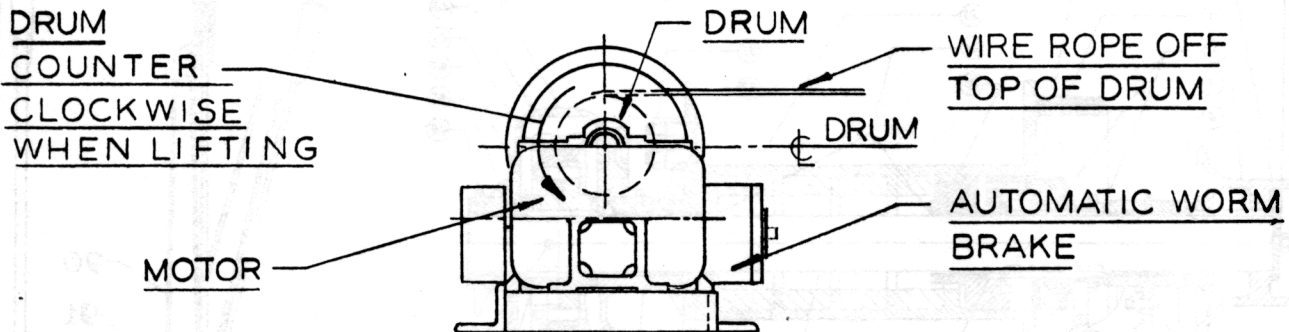
"RIGHTWAY" POWERED WINCHES MODEL E2-HB

IMPORTANT INSTRUCTIONS

REEVING OF WIRE ROPE

AUTOMATIC LOAD BRAKE

For the Automatic Mechanical Load Brake to function when lowering a load the wire rope must be spooled over the drum, that is, off the top of the drum and in a direction parallel to, and extending toward the automatic worm brake.



The automatic worm brake is designed to completely release in the load lifting direction of the worm or when a load on the winch tends to rotate the worm in reverse. When a load is held suspended by the automatic brake a small amount of reversing power is necessary to lower the load and therefore the worm brake should be tightened only to that amount necessary to suspend the maximum load to be handled.

This will reduce wear to a minimum on the braking surfaces and prevent unnecessary heating in the load-lowering operation.

The direction of tightening the worm brake is shown on the instruction plate mounted at front of worm brake and should be as such. The tightening procedure is by advancing the brake cam in direction of the worm rotation when lifting a load.

When spooling loose cable off the drum, disengage the clutch and pull the cable off manually. This eliminates unnecessary wear on the worm braking surfaces.

ITEM NO.	NO. REQ'D	DESCRIPTION	ITEM NO.	NO. REQ'D	DESCRIPTION	ITEM NO.	NO. REQ'D	DESCRIPTION	ITEM NO.	NO. REQ'D	DESCRIPTION
1	1	Capstan	26	1	Clutch	51	3	Pipe Plug	75	2	Bearing
2	1	Cap Screw	27	4	Dowel Pin	52	2	Key	76	1	Cap Screw
3	13	Lockwasher	28	1	Yoke	53	4	Set Screw	77	1	Washer
4	2	Washer	29	1	Control Arm	54	4	Collar	78	2	Grease Retainer
5	1	Drum Brake Ass'y	30	2	Control Arm	55	1	Plate	79	1	Housing
6	2	Washer	31	5	Nut	56	14	Lockwasher	80	2	Shaft
7	2	Key	32	1	"U" Bolt	57	13	Nut	81	4	Drive Screw
8	1	Bushing	33	1	Shaft	58	4	Cap Screw	82	1	Nameplate
9	9	Cap Screw	34	8	Cap Screw	59	2	Gasket	83	1	Instruction Plate
10	1	Bracket	35	13	Nut	60	2	Gasket	84	3	Drive Screw
11	1	Bracket	36	4	Cotter Pin	61	12	Cap Screw	85	1	Motor
12	1	Pin	37	1	Pin	62	1	Drum	86	1	Sprocket-Motor
13	1	Cotter Pin	38	1	Rod	63	2	Worm Brake Shoe	87	1	Roller Chain
14	1	Rod RH or Rod LH	39	1	Spring			Assembly	88	1	Sprocket-Reducer
15	2	Cap Screw	40	1	Clevis	64	2	Washer	89	1	Roller Chain Cover
16	2	Lockwasher	41	4	Cap Screw	65	2	Cap Screw	90	2	Assembly-Lever
17	2	Nut	42	5	Key	66	1	Cam	91	1	Assembly-Bracket
18	8	Cap Screw	43	1	Control Arm	67	8	Cap Screw	92	1	Cotter Pin
19	8	Lockwasher	44	1	Cover	68	1	Cam Plate	93	2	Washer
20	8	Nut	45	1	Gear	69	1	Housing	94	2	Cap Screw
21	1	Frame	46	1	Carrier	70	1	Nut	95	1	Spacer
22	2	Key	47	2	Dowel Pin	71	1	Lockwasher	96	2	Sector
23	1	Drum	48	5	Grease Fitting	72	1	Key	97	2	Spacer
24	2	Bushing	49	2	Bushing	73	1	Worm			
25	1	Clutch	50	1	Pin	74	1	Cap			