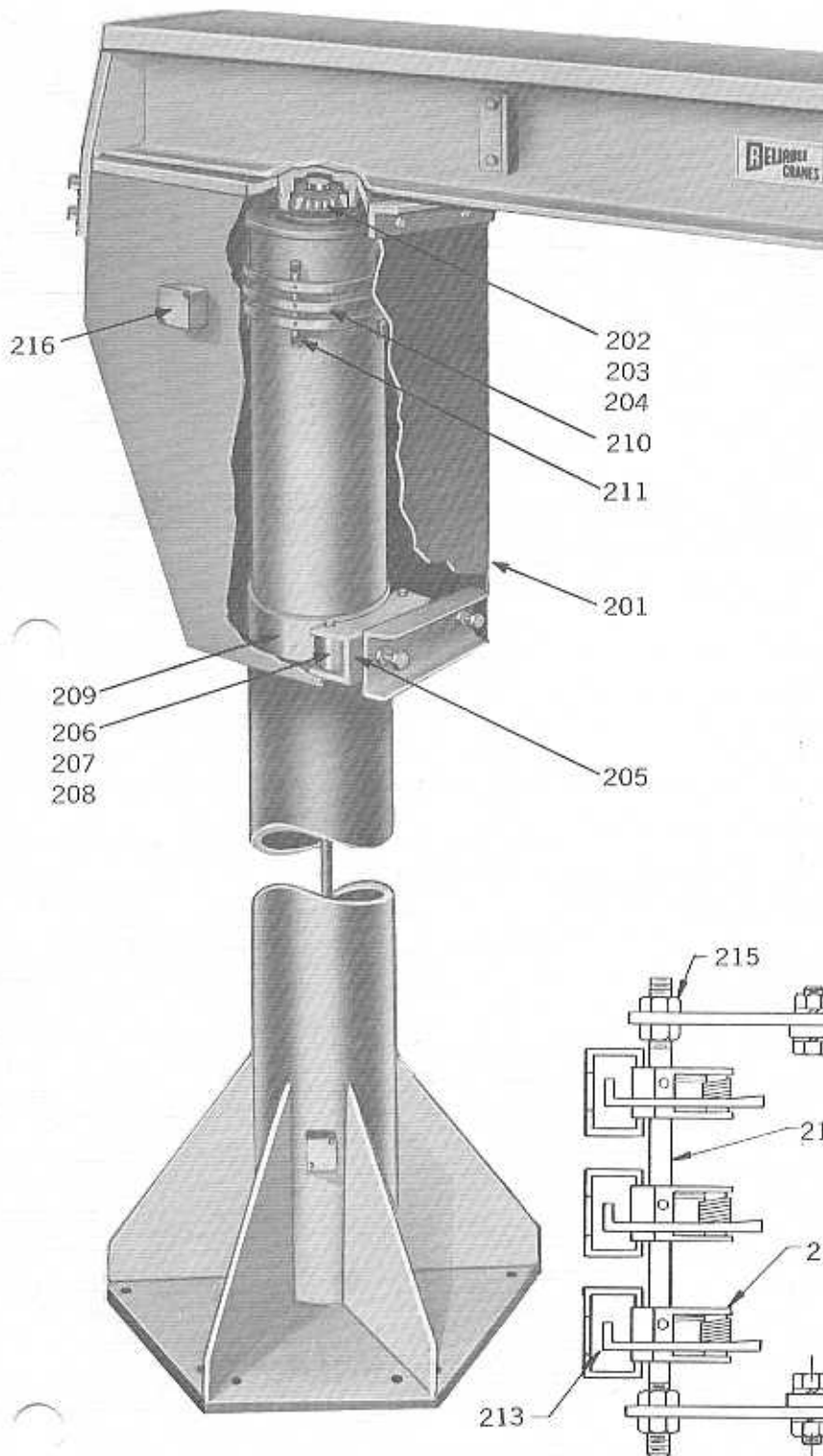


MODEL 200, 400 & 400M JIB CRANE PARTS LIST



NOTE!

JIB Crane Serial No. **MUST** be supplied on all parts orders.

PARTS LIST

PART DESCRIPTION	Part No.	Quan. Req'd.
Head	201	1
Bearing Cone	202	1
Bearing Cup	203	1
Neoprene Bearing Seal	204	1
Roller Frame	205	1
Roller	206	2
Roller Axle	207	2
Roller Bearing	208	4
Wear Ring (Motorized Jibs Only)	209	1
Collector Ring	210	3
Collector Ring Insulator	211	3-4-6
Collector Brush Holder	212	3
Collector Brush	213	3
Insulated Collector Support Post	214	1
Collector Support Post Nuts	215	4
Electrical Junction Box	216	2

LUBRICATION INSTRUCTIONS

Grease Bearings Part Nos. 202-203 and 208 every six (6) months with Alemite grease No. 30 or equivalent.