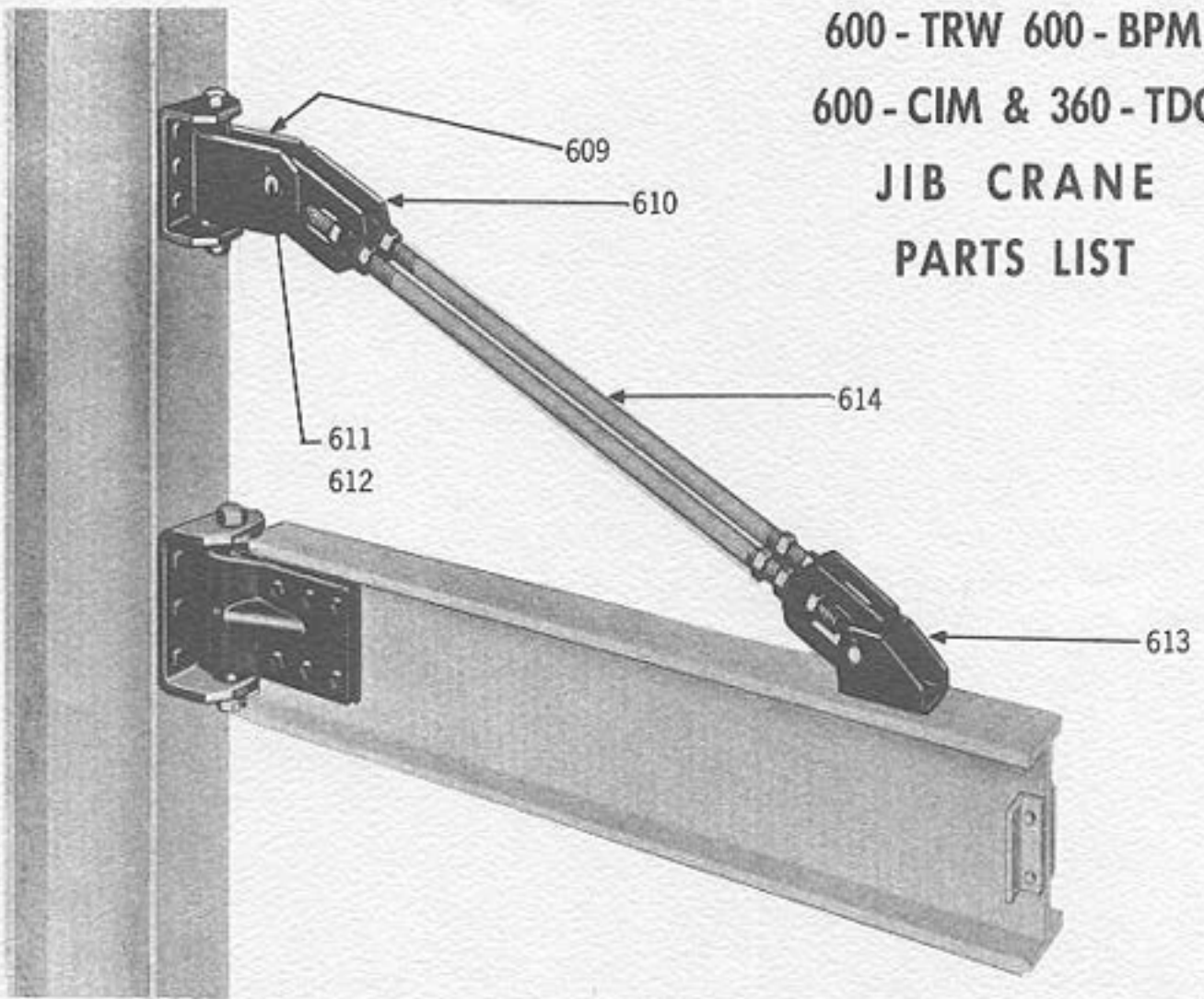


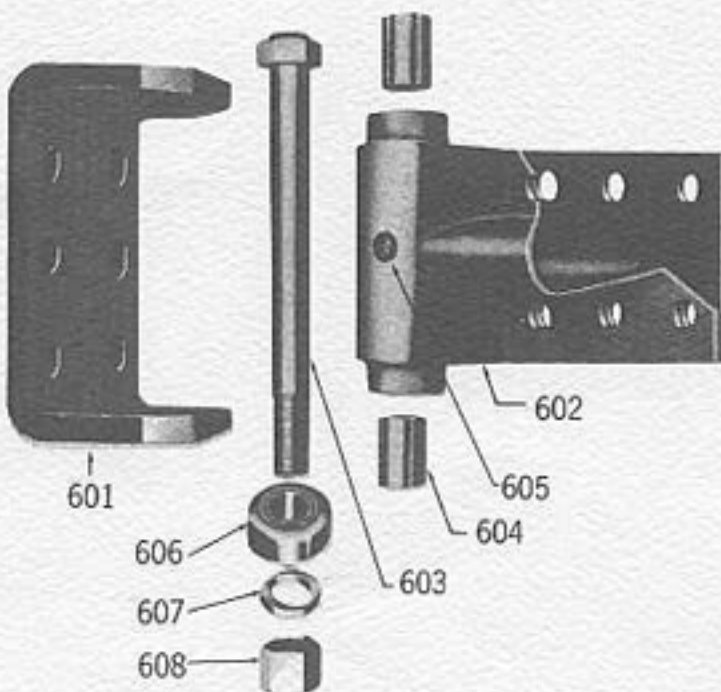
MODEL

600 - TRW 600 - BPM
 600 - CIM & 360 - TDC
**JIB CRANE
 PARTS LIST**



NOTE!

Jib Crane Serial No. **MUST** be supplied on all parts orders.



PARTS LIST

PART DESCRIPTION	Part No.	Quan. Req'd.
Hinge Bracket	601	2
Hinge Boom Bracket	602	1
Bracket Pin	603	2
Bracket Bearing	604	4
Zirk Grease Fitting	605	2
Thrust Bearing	606	2
Bracket Pin Lock Washer	607	2
Bracket Pin Nut	608	2
Upper Clevis Bracket	609	1
Clevis	610	2 or 4
Clevis Pin	611	2
Clevis Cotter Pin	612	4
Boom Fitting	613	1
Tie Rod	614	1 or 2

LUBRICATION INSTRUCTIONS

Grease bearings part No. 604 through pressure grease fitting part No. 605 every six (6) months with Alemite grease No. 30 or equivalent.