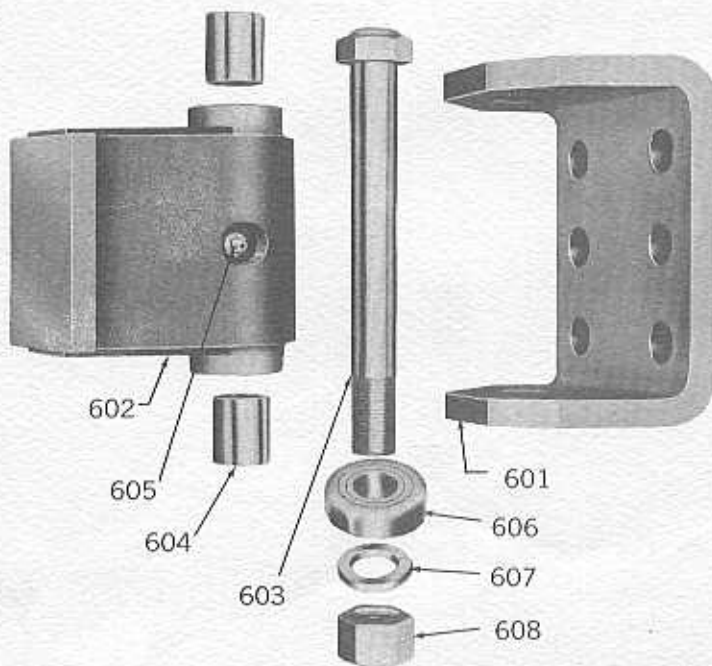


MODEL 600-CBW JIB CRANE PARTS LIST

NOTE!

Jib Crane Serial No. **MUST** be supplied on all parts orders.



PARTS LIST

PART DESCRIPTION	Part No.	Quan. Req'd.
Hinge Bracket	601	2
Hinge Leg Bracket	602	2
Bracket Pin	603	2
Bracket Bearing	604	4
Zirk Grease Fitting	605	2
Thrust Bearing	606	2
Bracket Pin Lock Washer	607	2
Bracket Pin Nut	608	2

LUBRICATION INSTRUCTIONS

Grease bearings part No. 604 through pressure grease fitting part No. 605 every six (6) months with Alemite grease No. 30 or equivalent.